

Near edge thermal printhead (300 dots / inch)

SH3004-DC90A

SH-DC90 series was developed with two key structures step-free and near edge for the packaging printer market which requires high speed continuous printing. It is suitable for printers in factory line where high speed 24 hours continuous printing is required.

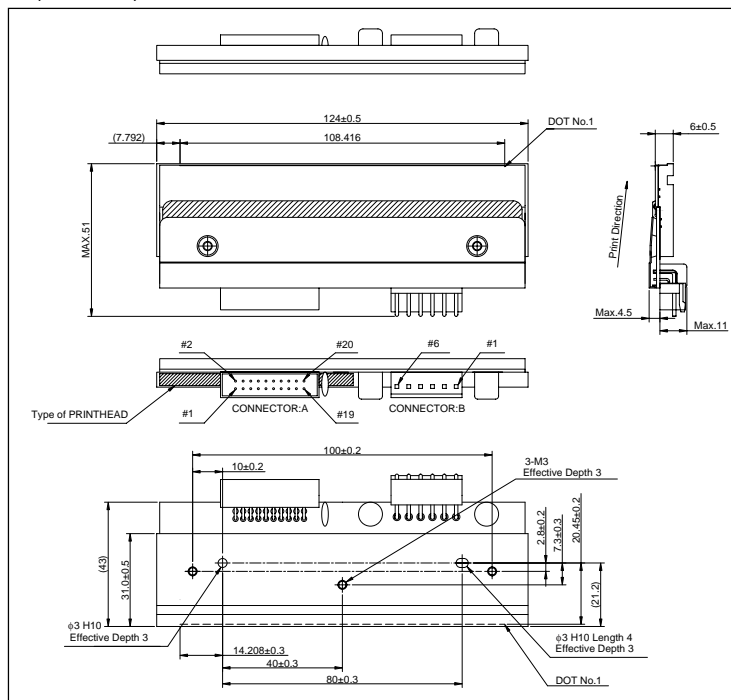
●Applications

Barcode printers
Label printers
Packaging printers
ATM
Ticket printers
Scale printers

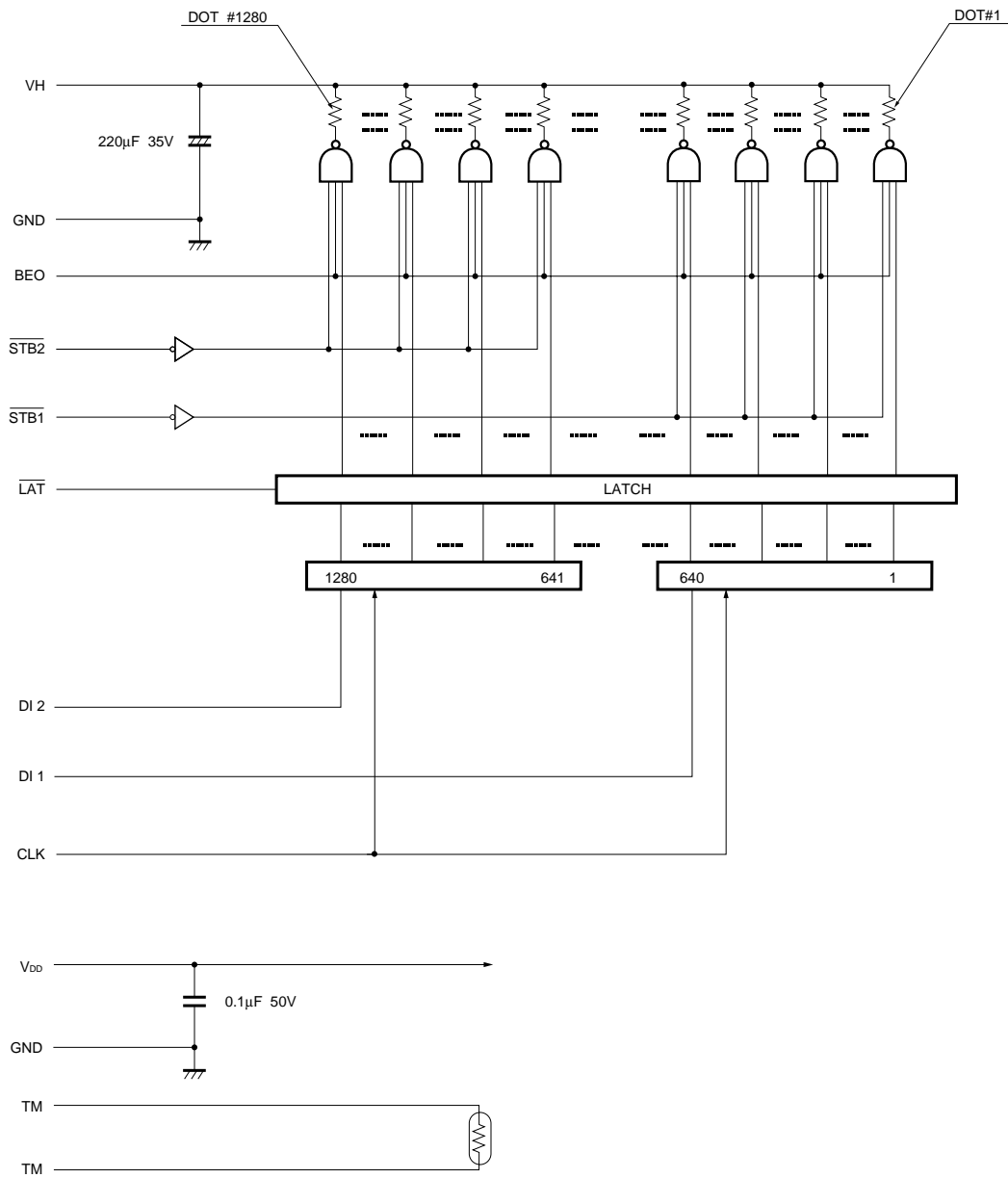
●Features

- 1) ROHM new technology "STEP FREE" structure will provide, high corrosion resistance, better resistance against scratching damage, high efficiency.
- 2) Head inclination by near-edge structure, applicable to the large-size platen. Resin type thermal-transfer ink-ribbon can be used.
- 3) High-hardness protect cote type "W-coat" is employed with 150km abrasion life-time.
- 4) Even without history-control, high-speed printing more than 200mm/s can be achieved at 300dpi with clear print image.
With history-control, 300mm/s printing is also possible at 300dpi.

●External dimensions (Unit : mm)



●Equivalent circuit



DI No.	DOT No.
DI 2	1280 to 641
DI 1	640 to 1

STB No.	DOT No.
STB2	1280 to 641
STB1	640 to 1

●Pin assignments

HIROSE

No.	Circuit	No.	Circuit
1	V _{DD}	2	BEO
3	GND	4	DI2
5	N.C.	6	CLK
7	LAT	8	GND
9	GND	10	DI1
11	N.C.	12	GND
13	V _{DD}	14	STB2
15	STB1	16	TM
17	TM	18	SENS1
19	SENS2	20	SENS3

JST

No.	Circuit
1	VH
2	VH
3	VH
4	GND
5	GND
6	GND

●Characteristics

Parameter	Symbol	Typical	Unit
Effective printing width	–	108.4	mm
Dot pitch	–	0.0847	mm
Total dot number	–	1280	dots
Average resistance value	R _{ave}	850	Ω
Applied voltage	V _H	24	V
Applied power	P _o	0.57	W / dot
Print cycle	SLT	0.42	ms
Maximum number of dots energized simultaneously	–	1280	dots
Maximum clock frequency	–	10	MHz
Maximum roller diameter	–	φ50	mm
Running life / pulse life	–	150 / 10 ⁸	km / pulses
Operating temperature	–	5 to 45	°C

Notes

- No technical content pages of this document may be reproduced in any form or transmitted by any means without prior permission of ROHM CO.,LTD.
- The contents described herein are subject to change without notice. The specifications for the product described in this document are for reference only. Upon actual use, therefore, please request that specifications to be separately delivered.
- Application circuit diagrams and circuit constants contained herein are shown as examples of standard use and operation. Please pay careful attention to the peripheral conditions when designing circuits and deciding upon circuit constants in the set.
- Any data, including, but not limited to application circuit diagrams information, described herein are intended only as illustrations of such devices and not as the specifications for such devices. ROHM CO.,LTD. disclaims any warranty that any use of such devices shall be free from infringement of any third party's intellectual property rights or other proprietary rights, and further, assumes no liability of whatsoever nature in the event of any such infringement, or arising from or connected with or related to the use of such devices.
- Upon the sale of any such devices, other than for buyer's right to use such devices itself, resell or otherwise dispose of the same, no express or implied right or license to practice or commercially exploit any intellectual property rights or other proprietary rights owned or controlled by
- ROHM CO., LTD. is granted to any such buyer.
- Products listed in this document are no antiradiation design.

The products listed in this document are designed to be used with ordinary electronic equipment or devices (such as audio visual equipment, office-automation equipment, communications devices, electrical appliances and electronic toys).

Should you intend to use these products with equipment or devices which require an extremely high level of reliability and the malfunction of which would directly endanger human life (such as medical instruments, transportation equipment, aerospace machinery, nuclear-reactor controllers, fuel controllers and other safety devices), please be sure to consult with our sales representative in advance.

About Export Control Order in Japan

Products described herein are the objects of controlled goods in Annex 1 (Item 16) of Export Trade Control Order in Japan.

In case of export from Japan, please confirm if it applies to "objective" criteria or an "informed" (by MITI clause) on the basis of "catch all controls for Non-Proliferation of Weapons of Mass Destruction.